



CTEK D250TS

10A



CHARGE WHILE YOU DRIVE

D250TS

24V CHARGER, BATTERY SEPARATOR, 12V CONVERTER AND EQUALISER

The CTEK D250TS is a fully automatic battery charger how charge a secondary battery even when alternator is not charging the primary battery, battery separator, 12V converter and an equaliser for 24V battery banks combined. Perfect for heavy vehicles, RV's, boats and other vehicles. In a heavy vehicle applications this is a system solution with a dual battery system, to make sure that there is always have power in the starting battery so that the vehicle can be started.

The D250TS is a fully automatic 4-step charger that supplies 10A to 24V batteries of 28-200Ah. The charger is IP65 classified (water jet and dust protected and approved for outdoor use) and protects vehicle electronics. It is suitable for all types of lead-acid batteries (Wet, MF, Gel, AGM). It is supplied with a 2 year warranty.



Fully automatic for optimal charging



For all 24V lead-acid batteries

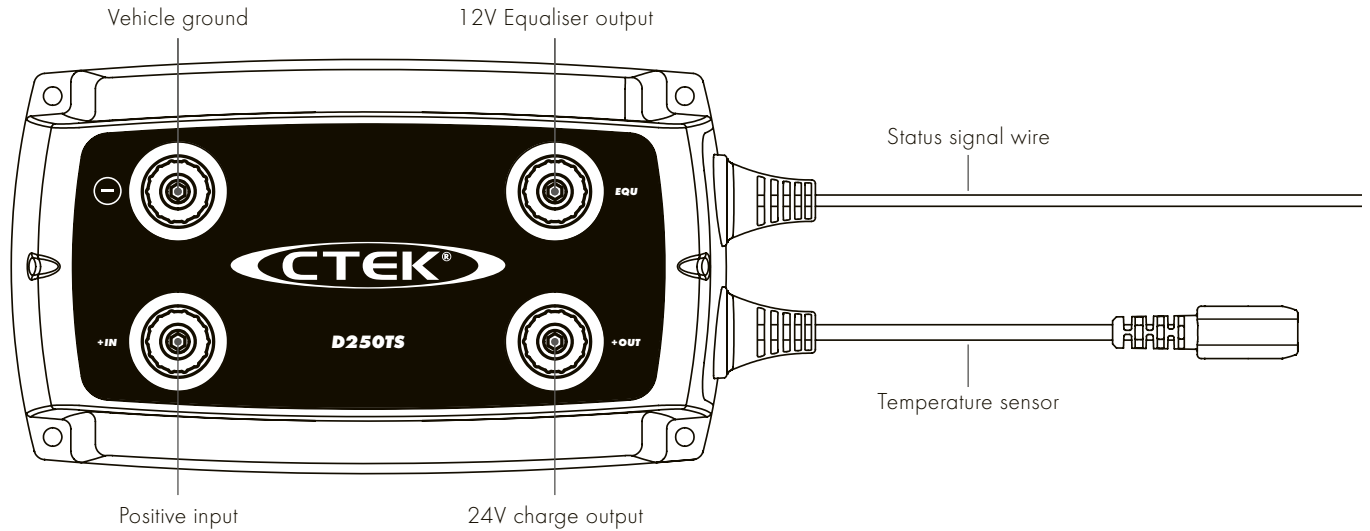


TECHNICAL DATA

CHARGING VOLTAGE	28.8V
CHARGING CURRENT	10A max
MIN SUPPLY VOLTAGE	14V
TYPE OF CHARGER	4 step, fully automatic DC/DC charger
TYPE OF BATTERY	24V lead-acid batteries
BATTERY CAPACITY	28-200Ah
INSULATION	IP65 (splash and dust proof)



THE SMARTEST BATTERY CHARGERS IN THE WORLD



FEATURES

- Multi-step charging from 24V sources like alternators.
- Battery separator that eliminates diodes and VSR relays.
- Built-in 12V converter.

BENEFITS

- Maximised battery life due to minimised undercharge time and automatic battery equalisation.
- Maximised battery capacity when the battery is kept fully charged to avoid harmful sulphate crystals on the lead plates and stratification of the battery acid.
- Ability to take charge automatically from any power source that is connected to the D250TS.
- Reduced charging times and costs by decreasing engine idling.
- Reduced environmental impact through extended battery life and a reduced idle time.
- Minimal installation time and cost.

SUITABLE FOR

- Boats
- Heavy Vehicles
- RV's
- Power wheelchairs

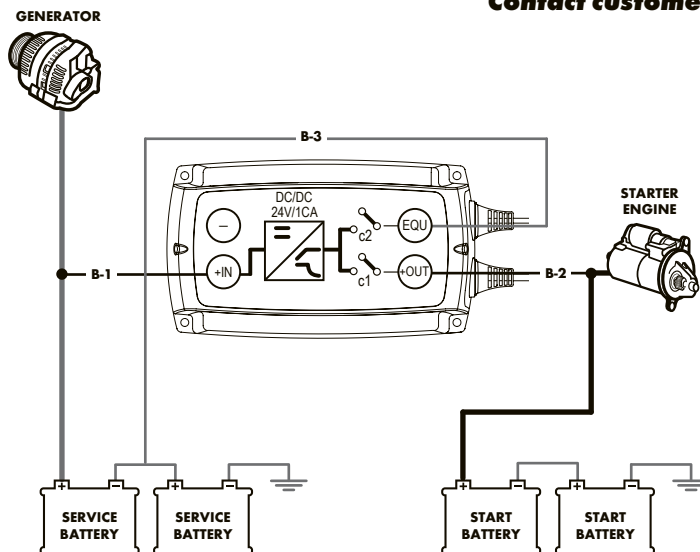
FASTER CHARGING

The D250TS is a 4-step charger that automatically adjusts the charging voltage and current according to the battery state of charge and temperature - reducing a battery's charge time. A sensor on the CTEK charger senses the battery temperature and adjusts the required charge by increasing the voltage in cold weather ensuring the battery is fully charged, and dropping the voltage in hot weather to avoid the problems of overcharging. With the D250TS, vehicle owners can be confident that their battery will always receive the optimal charging voltage, with reduced charge time and while ensuring the charging will be 100% complete.

GUARANTEED QUALITY WITH CTEK

CTEK customer support is available to answer any questions related to charging and CTEK chargers. Safety, simplicity and flexibility characterizes all products and solutions developed and sold by CTEK. CTEK supply chargers to more than 60 countries throughout the world. CTEK is also a reliable OEM supplier to many of the world's most prestigious car and motorcycle manufacturers.

Contact customer support: info@ctek.com



FUNCTIONALITY

The D250TS has three operating modes:

1. 4-step charging of a Starter battery.
2. When Starter battery is fully charged: Equalization of a Service battery on the Input side. This function provides the possibility to connect 12V consumers to the 1st battery in the Service battery string.
3. Monitoring. The D250TS now monitors if the Starter battery needs charging (priority) or the Service battery needs equalization.